

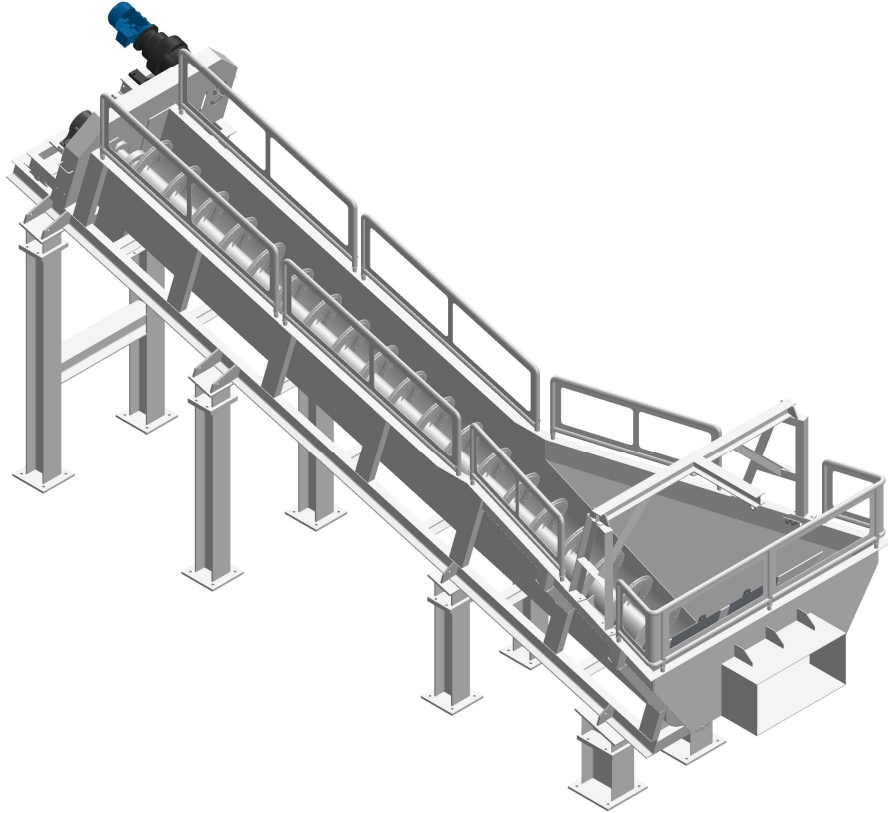
JSC 750×6500L 구매용 부품표

2026년 5월 현재

PART NO.	NAME OF PARTS	Q'TY	MATERIAL		REMARK
			STANDARD	OPTION	
JSC-750x6500-A010	JSC 750x6500 SPIRAL CLASSIFIER ASSEMBLY(With Motor & Base)	1	-	-	
JSC-750x6500-2000	JSC 750x6500 SPIRAL CLASSIFIER SCREW PART ASSEMBLY	1	-	-	
JSC-750x6500-2000-1	JSC 750x6500 SPIRAL CLASSIFIER HEAD SHAFT ASSEMBLY	1	-	-	
JSC-750x6500-2010	JSC 750x6500 SPIRAL CLASSIFIER HEAD SHAFT(구동부 SHAFT)	1	SM45C+SS400	-	
JSC-750x6500-2020	JSC 750x6500 SPIRAL CLASSIFIER MAIN SHAFT(PIPE)	1	SPPS380+SS400	-	
JSC-750x6500-2030	JSC 750x6500 SPIRAL CLASSIFIER WEARING SHOE	228	SCMnH11	25CrGC	
JSC-750x6500-3000	JSC 750x6500 SPIRAL CLASSIFIER SUBMERGED BEARING ASSEMBLY	1	-	-	
JSC-750x6500-4050	JSC 750x6500 SPIRAL CLASSIFIER REDUCER & MOTOR	1	-	-	

REMARK

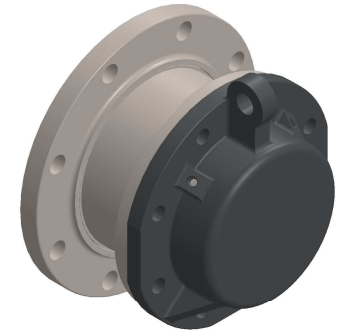
1. 상기 품목과 재질은 상세 설계 시 바뀔 수 있습니다.
2. SPIRAL CLASSIFIER는 주문 제작품이므로 상기 품명을 주문할 시 본사에 반드시 문의 바랍니다.
3. JSC-750x6500-2000-1 HEAD SHAFT ASSEMBLY의 구성품은 HEAD SHAFT, SPROCKET, BEARING 입니다.



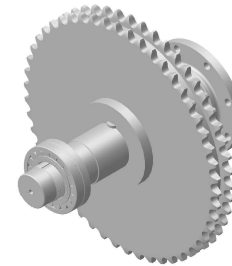
**JSC 750x650 SPIRAL CLASSIFIER
ASSEMBLY(With Motor & Base)
PART NO. : JSC-750x6500-A010**



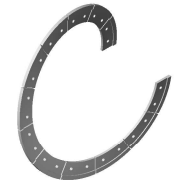
**JSC 750x6500 SPIRAL CLASSIFIER
SCREW PART ASSEMBLY
PART NO. : JSC-750x6500-2000**



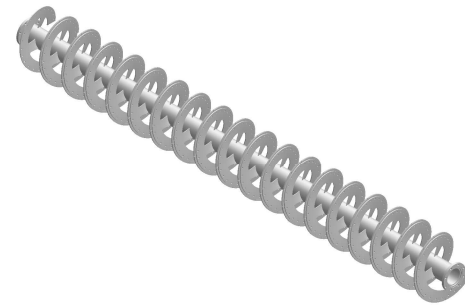
**JSC 750x6500 SPIRAL CLASSIFIER
SUBMERGED BEARING ASSEMBLY
PART NO. : JSC-750x6500-3000**



**JSC 750x6500 SPIRAL CLASSIFIER
HEAD SHAFT ASSEMBLY
PART NO. : JSC-750x6500-2000-1**



**JSC 750x6500 SPIRAL CLASSIFIER
WEARING SHOE
PART NO. : JSC-750x6500-2030**



**JSC 750x6500 SPIRAL CLASSIFIER
MAIN SHAFT
PART NO. : JSC-750x6500-2020**



**JSC 750x6500 SPIRAL CLASSIFIER
REDUCER & MOTOR
PART NO. : JSC-750x6500-4050**